

# 1080P Zoom Lens IR PTZ Camera

IPC742SR9-PZ30-32G



## Key Features



## PTZ

- Precision motor with accuracy deviation less than 0.1 degree.
- Pan range 250°, tilt range -50° ~ 50°
- Pan speed up to 15°/s, tilt speed up to 5°/s

## Optics

- Smart IR, up to 100m (328ft) IR distance
- 2X Optical Zoom & Auto Focus
- IR anti-reflection window to increase the infrared transmittance
- Day/night functionality

## Compression

- Ultra 265, H.265, H.264, MJPEG
- Triple streams
- Customized OSD

## Network

- ONVIF Conformance

## Structure

- Support PoE power supply
- Wide temperature range: -35°C ~ 60°C (-31°F ~ 140°F)
- Wide voltage range of ±25%
- IP66

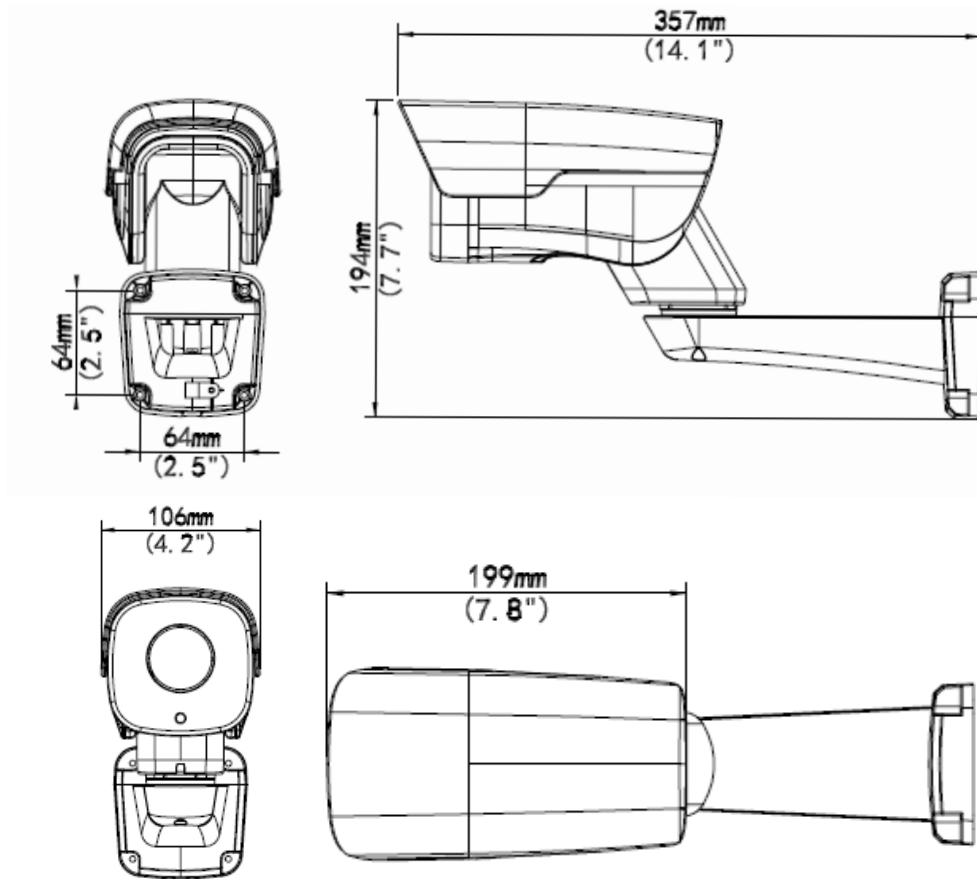
## Specifications

IPC742SR9-PZ30-32G					
<b>Camera</b>					
Sensor	1/2.8", 2.0 megapixel, progressive scan, CMOS				
Lens	3 ~ 6mm, AF automatic focusing and motorized zoom lens				
Digital Zoom	16				
Optical Zoom	2				
DORI Distance	Lens (mm)	Detect (m)	Observe (m)	Recognize (m)	Identify (m)
	3	67.5	27	13.5	6.8
	6	135	54	27	13.5
Angle of view (H)	90.9° ~ 51.5°				
Angle of View (V)	39.6° ~ 20.4°				
Angle of View (O)	101.8° ~ 63.3°				
Shutter	Auto/Manual, 1 ~ 1/100000s				
Minimum Illumination	Color: 0.02Lux (F2.0, AGC ON) 0Lux with IR on				
Iris	Auto/Manual, F2.0				
Day/Night	IR-cut filter with auto switch (ICR)				
S/N	>52dB				
IR Range	Up to 100m (328ft) IR range				
wavelength	850nm				
IR On/Off Control	Auto/Manual				
Defog	Digital Defog				
WDR	DWDR				
<b>Video</b>					
Video Compression	Ultra 265, H.265, H.264, MJPEG				
H.264 code profile	Baseline profile, Main Profile, High Profile				
Frame Rate	Main Stream: 2MP (1920*1080), Max 30fps; Sub Stream: 2MP (1920*1080), Max 30fps; Third Stream: D1 (720*576), Max 30fps				
Video Bit Rate	128 Kbps~16 Mbps				

OSD	Up to 8 OSDs
Privacy Mask	Up to 8 areas
ROI	Up to 8 areas
Motion Detection	Up to 4 areas
<b>Image</b>	
White Balance	Auto/Outdoor/Fine Tune/Sodium Lamp/Locked/Auto2
Digital noise reduction	2D/3D DNR
Smart IR	Support
Flip	Normal/Vertical/Horizontal/180°/90°Clockwise/90°Anti-clockwise
Dewarping	Support
HLC	Support
BLC	Support
<b>Audio</b>	
Audio Compression	G.711
Two-way Audio	Supported
Suppression	Supported
Sampling Rate	8KHZ
<b>Storage</b>	
Edge Storage	Built-in 32GB eMMC
Network Storage	ANR, NAS(NFS)
<b>Network</b>	
Protocol	IPv4, IGMP, ICMP, ARP, TCP, UDP, DHCP, PPPoE, RTP, RTSP, RTCP, DNS, DDNS, NTP, FTP, UPnP, HTTP, HTTPS, SMTP, 802.1x, SNMP, QoS
Compatibility	ONVIF (Profile S, Profile T), API
Client	EZStation EZView EZLive
Web Browser	Plug-in required live view: IE9+, Chrome 41 and below, Firefox 52 and below
	Plug-in free live view: Chrome 57.0+, Firefox 58.0+, Edge 16+, Safari 11+
<b>Structure</b>	
Pan Range	250°
Pan Speed	0.1°/s ~ 15°/s
	Preset speed: 15°/s
Tilt Range	-50° ~ 50°
Tilt Speed	0.1°/s ~ 5°/s
	Preset speed: 5°/s
Number of Presets	400
Patrol	Up to 16 patrols, up to 32 presets per patrol <b>Note:</b> The total number of patrols and patterns is 16.
<b>Interface</b>	
Audio I/O	3.5mm connector
	Input: impedance 35kΩ; amplitude 2V [p-p]

	Output: impedance 600Ω; amplitude 2V [p-p]
Alarm I/O	2/1
Network	1 RJ45 10M/100M adaptive Ethernet
<b>Certifications</b>	
Certifications	CE: EN 60950-1 UL: UL60950-1 FCC: FCC Part 15
<b>General</b>	
Power	DC 12V±25%, PoE (IEEE 802.3at)
	Power consumption: Max 17.23W
Dimensions	357 × 106 × 194mm (14.1" × 4.2" × 7.7")
Net Weight	1.16kg (2.6lb)
Material	tilt cylinder cylinder brackct: metal tilt cylinder bottom cover: metal tilt cylinder adapter plate: metal tilt cylinder parrel: plastic front cover: plastic tilt cylinder bracket: plastic sunshade: plastic
Working Environment	-35°C ~ 60°C (-31°F ~ 140°F), Humidity: ≤95% RH (non-condensing)
Storage Environment	-35°C ~ 60°C (-31°F ~ 140°F), Humidity: ≤95% RH (non-condensing)
surge protection	4KV
Ingress Protection	IP66

## Dimensions

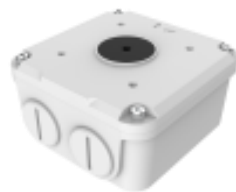


## Accessories

TR-JB07-D-IN



TR-JB06-A-IN



TR-UP06-B-IN



TR-UP06-C-IN



TR-A01-IN



**Zhejiang Uniview Technologies Co., Ltd.**

Building No.10, Wanlun Science Park, Jiangling Road 88, Binjiang District, Hangzhou, Zhejiang, China (310051)

Email: [overseasbusiness@uniview.com](mailto:overseasbusiness@uniview.com); [globalsupport@uniview.com](mailto:globalsupport@uniview.com)

<http://www.uniview.com>

©2019 Zhejiang Uniview Technologies Co., Ltd. All rights reserved.

\*Product specifications and availability are subject to change without notice.